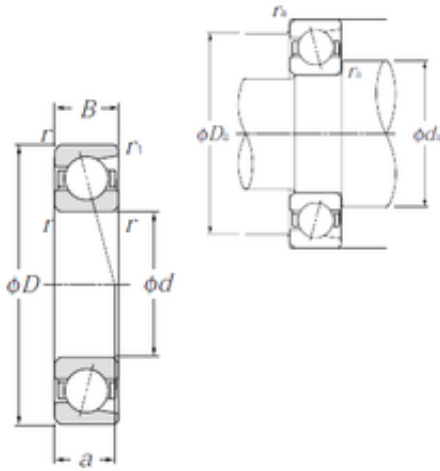




FAG BEARING LIMITED

120 mm x 165 mm x 22 mm NTN 7924C angular contact ball bearings



Bearing No. 7924C

| | |
|-------------------------------|---------------|
| Size | 120x165x22 mm |
| Bore Diameter | 120 mm |
| Outer Diameter | 165 mm |
| Width | 22 mm |
| d | 120 mm |
| D | 165 mm |
| B | 22 mm |
| C | 22 mm |
| Angle (°) | 15 ° |
| a | 30 mm |
| r min. | 1,1 mm |
| r1 min. | 0,6 mm |
| Weight | 1,38 Kg |
| Basic dynamic load rating (C) | 67,5 kN |
| Basic static load rating (C0) | 78,5 kN |
| (Grease) Lubrication Speed | 5 700 r/min |
| (Oil) Lubrication Speed | 7 600 r/min |

7924C Bearing 2D drawings and 3D CAD models