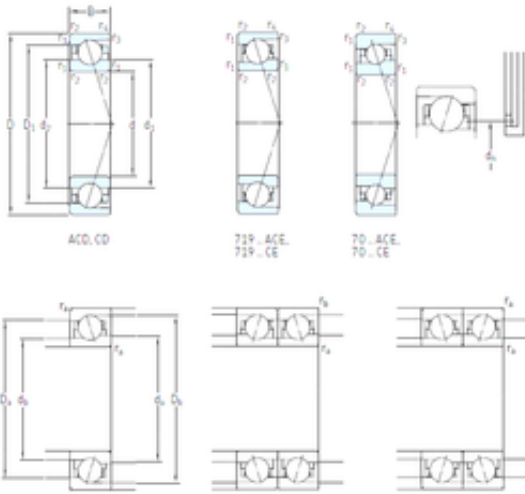




FAG BEARING LIMITED



55 mm x 80 mm x 13 mm SKF 71911
CD/HCP4A angular contact ball bearings

Bearing No. 71911 CD/HCP4A

71911 CD/HCP4A Bearing 2D drawings and 3D CAD models

Size	55x80x13 mm
Bore Diameter	55 mm
Outer Diameter	80 mm
Width	13 mm
d	55 mm
D	80 mm
B	13 mm
C	13 mm
d1	62,7 mm
d2	62,7 mm
r1 min.	1 mm
r2 min.	1 mm
r3 min.	0,3 mm
r4 min.	0,3 mm
D1	72,3 mm
D2	74,6 mm
da min.	59,6 mm
Da max.	75,4 mm
db min	59,6 mm
ra max.	1 mm
rb max.	0,3 mm
dh	64,7 mm
Db max	78 mm
Weight	0,15 Kg
Basic dynamic load rating (C)	19,5 kN



FAG BEARING LIMITED

Basic static load rating (C0)	14,6 kN
(Grease) Lubrication Speed	19 000 r/min
(Oil) Lubrication Speed	30 000 r/min
Fatigue load limit (Pu)	0,62
Category	Precision Ball Bearings
Inventory	0.0
Manufacturer Name	SKF
Minimum Buy Quantity	N/A
Weight / Kilogram	0
Product Group	B04270
Enclosure	Open
Precision Class	ABEC 7 ISO P4
Material - Ball	Ceramic
Number of Bearings	1 (Single)
Contact Angle	15 Degree
Preload	None
Raceway Style	1 Rib Outer Ring
Cage Material	Phenolic
Rolling Element	Ball Bearing
Flush Ground	No
Inch - Metric	Metric
Other Features	Single Row Angular Contact High Capacity Basic Design
Long Description	55MM Bore; 80MM Outside Diameter; 13MM Width; Open Enclosure; ABEC 7 ISO P4 Precision; Ceramic Ball Material; 1 (Single) Bearing; 15 Degree Contact Angle; Phenolic Cage Material; 1 Rib Outer Ring Ra
Category	Precision Ball Bearings
UNSPSC	31171531



FAG BEARING LIMITED

Harmonized Tariff Code	8482.10.50.28
Noun	Bearing
Keyword String	Ball Angular Contact
Manufacturer URL	http://www.skf.com
Bore	2.165 Inch 55 Millimeter
Width	0.512 Inch 13 Millimeter
Outside Diameter	3.15 Inch 80 Millimeter
d_1	62.7 mm
d_2	62.7 mm
D_1	72.3 mm
$r_{1,2}$ min.	1 mm
$r_{3,4}$ min.	0.3 mm
a	15.6 mm
d_a min.	59.6 mm
d_b min.	59.6 mm
D_a max.	75.4 mm
D_b max.	78 mm
r_a max.	1 mm
r_b max.	0.3 mm
d_n	64.7 mm
Basic dynamic load rating C	19.5 kN
Basic static load rating C_0	14.6 kN
Fatigue load limit P_u	0.62 kN
Attainable speed for grease lubrication	19000 r/min
Attainable speed for oil-air lubrication	30000 r/min
Ball diameter D_w	7.938 mm
Number of balls z	23
Reference grease quantity G_{ref}	2.49 cm ³
Preload class A G_A	70 N
Static axial stiffness, preload	54 N/ μ m



FAG BEARING LIMITED

class A	
Preload class B G_B	140 N
Static axial stiffness, preload class B	72 N/ μ m
Preload class C G_C	280 N
Static axial stiffness, preload class C	99 N/ μ m
Preload class D G_D	560 N
Static axial stiffness, preload class D	140 N/ μ m
Calculation factor f	1.15
Calculation factor f_1	1
Calculation factor f_{2A}	1
Calculation factor f_{2B}	1.07
Calculation factor f_{2C}	1.12
Calculation factor f_{2D}	1.18
Calculation factor f_{HC}	1.04
Calculation factor f_0	10.4
Mass bearing	0.15 kg