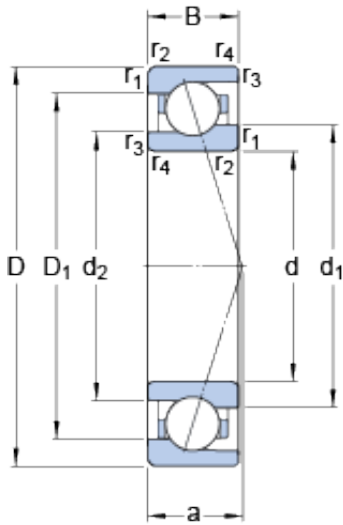




FAG BEARING LIMITED



71918 CE/HCP4A Bearing 2D drawings and 3D CAD models

90 mm x 125 mm x 18 mm SKF 71918 CE/HCP4A angular contact ball bearings

Bearing No. 71918 CE/HCP4A

Size	125x90x18 mm
Bore Diameter	125 mm
Outer Diameter	90 mm
Width	18 mm
d	90 mm
D	125 mm
B	18 mm
d ₁	101 mm
d ₂	97.9 mm
D ₁	114.22 mm
r _{1,2} - min.	1.1 mm
r _{3,4} - min.	0.6 mm
a	24.4 mm
d _a - min.	96 mm
d _b - min.	93.2 mm
D _a - max.	119 mm
D _b - max.	121.8 mm
r _a - max.	1 mm
r _b - max.	0.6 mm
d _n	103.5 mm
Basic dynamic load rating - C	30.2 kN
Basic static load rating - C ₀	24.5 kN
Fatigue load limit - P _u	0.965 kN
Limiting speed for grease	17000 r/min



FAG BEARING LIMITED

Lubrication	
Limiting speed for oil lubrication	27000 mm/min
Ball - D_w	11.112 mm
Ball - z	24
G_{ref}	7 cm ³
Calculation factor - f_0	8.5
Preload class A - G_A	163 N
Preload class B - G_B	488 N
Preload class C - G_C	977 N
Calculation factor - f	1.19
Calculation factor - f	1
Calculation factor - f_{2A}	1
Calculation factor - f_{2B}	1.05
Calculation factor - f_{2C}	1.09
Calculation factor - f_{HC}	1.01
Preload class A	72 N/micron
Preload class B	114 N/micron
Preload class C	157 N/micron
d_1	101 mm
d_2	97.9 mm
D_1	114.22 mm
$r_{1,2}$ min.	1.1 mm
$r_{3,4}$ min.	0.6 mm
d_a min.	96 mm
d_b min.	93.2 mm
D_a max.	119 mm
D_b max.	121.8 mm
r_a max.	1 mm
r_b max.	0.6 mm
d_n	103.5 mm



FAG BEARING LIMITED

Basic dynamic load rating C	30.2 kN
Basic static load rating C_0	24.5 kN
Fatigue load limit P_u	0.965 kN
Attainable speed for grease lubrication	17000 r/min
Attainable speed for oil-air lubrication	27000 r/min
Ball diameter D_w	11.112 mm
Number of balls z	24
Reference grease quantity G_{ref}	7 cm ³
Preload class A G_A	163 N
Static axial stiffness, preload class A	72 N/ μ m
Preload class B G_B	488 N
Static axial stiffness, preload class B	114 N/ μ m
Preload class C G_C	977 N
Static axial stiffness, preload class C	157 N/ μ m
Calculation factor f	1.19
Calculation factor f_1	1
Calculation factor f_{2A}	1
Calculation factor f_{2B}	1.05
Calculation factor f_{2C}	1.09
Calculation factor f_{HC}	1.01
Calculation factor f_0	8.5
Mass bearing	0.46 kg