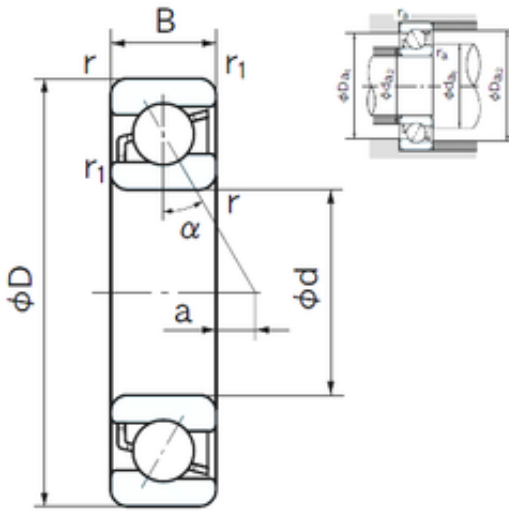




# FAG BEARING LIMITED



## 105 mm x 225 mm x 49 mm NACHI 7321C angular contact ball bearings

Bearing No. 7321C

7321C Bearing 2D drawings and 3D CAD models

Size	105x225x49 mm
Bore Diameter	105 mm
Outer Diameter	225 mm
Width	49 mm
d	105 mm
D	225 mm
B	49 mm
C	49 mm
Angle ( ° )	15 °
a -	5.3 mm
r min.	3 mm
r1 min.	1.1 mm
da min.	119 mm
Da max.	211 mm
ra max.	2.5 mm
Weight	9.34 Kg
Basic dynamic load rating (C)	224 kN
Basic static load rating (C0)	212 kN
(Grease) Lubrication Speed	4800 r/min
Configuration	Single Row
Enclosure	Open
Bore Type	Cylindrical Bore
Bore Size	105 mm
Outside Diameter	225 mm
Width	49 mm



## FAG BEARING LIMITED

Fillet Radius/Chamfer	3 mm
r1	1.1 mm
a	-5.3 mm
Dynamic Load Rating	224,000 N
Static Load Rating	212,000 N
Limiting Speed - Grease	4,800 rpm
Limiting Speed - Oil	6,700 rpm
da1 (min)	119 mm
da2 (min)	119 mm
Da1 (max)	211 mm
Da2 (max)	218 mm
ra (max)	2.5 mm
ra1 (max)	1 mm