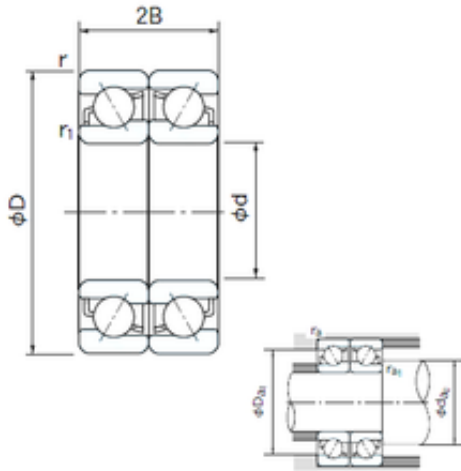




# FAG BEARING LIMITED



7328BDF Bearing 2D drawings and 3D CAD models

140 mm x 300 mm x 62 mm NACHI 7328BDF  
angular contact ball bearings

Bearing No. 7328BDF

Size	140x300x62 mm
Bore Diameter	140 mm
Outer Diameter	300 mm
Width	62 mm
d	140 mm
D	300 mm
B	62 mm
C	62 mm
Angle ( ° )	40 °
a	61.3 mm
r min.	4 mm
r1 min.	1.5 mm
2B	124 mm
da min.	149 mm
Da max.	291 mm
ra max.	1.5 mm
Weight	21.5 Kg
Basic dynamic load rating (C)	460 kN
Basic static load rating (C0)	635 kN
(Grease) Lubrication Speed	1400 r/min
Bore Type	Cylindrical Bore
Enclosure	Open
Configuration	Duplex
Bore Size	140 mm
Outside Diameter	300 mm



## FAG BEARING LIMITED

Width	62 mm
Fillet Radius/Chamfer	4 mm
r1	1.5 mm
Dynamic Load Rating	460,000 N
Static Load Rating	635,000 N
Limiting Speed - Grease	1,400 rpm
Limiting Speed - Oil	1,900 rpm
da1 (min)	158 mm
da2 (min)	149 mm
Da1 (max)	282 mm
Da2 (max)	291 mm
ra (max)	3 mm
ra1 (max)	1.5 mm