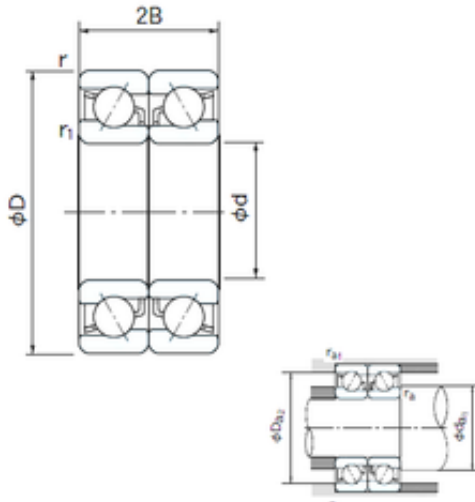




# FAG BEARING LIMITED



170 mm x 260 mm x 42 mm NACHI 7034DB  
angular contact ball bearings

Bearing No. 7034DB

7034DB Bearing 2D drawings and 3D CAD models

|                               |                  |
|-------------------------------|------------------|
| Size                          | 170x260x42 mm    |
| Bore Diameter                 | 170 mm           |
| Outer Diameter                | 260 mm           |
| Width                         | 42 mm            |
| d                             | 170 mm           |
| D                             | 260 mm           |
| B                             | 42 mm            |
| C                             | 42 mm            |
| Angle ( ° )                   | 30 °             |
| a                             | 41.1 mm          |
| r min.                        | 2.1 mm           |
| r1 min.                       | 1.1 mm           |
| 2B                            | 84 mm            |
| da min.                       | 179 mm           |
| Da max.                       | 254 mm           |
| ra max.                       | 1 mm             |
| Weight                        | 7.87 Kg          |
| Basic dynamic load rating (C) | 291 kN           |
| Basic static load rating (C0) | 420 kN           |
| (Grease) Lubrication Speed    | 1600 r/min       |
| Bore Type                     | Cylindrical Bore |
| Enclosure                     | Open             |
| Configuration                 | Duplex           |
| Bore Size                     | 170 mm           |
| Outside Diameter              | 260 mm           |



## FAG BEARING LIMITED

|                         |           |
|-------------------------|-----------|
| Width                   | 42 mm     |
| Fillet Radius/Chamfer   | 2.1 mm    |
| r1                      | 1.1 mm    |
| Dynamic Load Rating     | 291,000 N |
| Static Load Rating      | 420,000 N |
| Limiting Speed - Grease | 1,600 rpm |
| Limiting Speed - Oil    | 2,100 rpm |
| da1 (min)               | 179 mm    |
| da2 (min)               | 179 mm    |
| Da1 (max)               | 251 mm    |
| Da2 (max)               | 254 mm    |
| ra (max)                | 2 mm      |
| ra1 (max)               | 1 mm      |