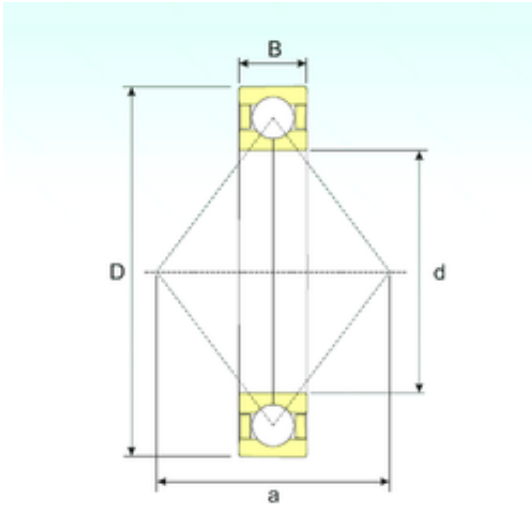




FAG BEARING LIMITED



160 mm x 340 mm x 68 mm ISB QJ 332 N2 M
angular contact ball bearings

Bearing No. QJ 332 N2 M

Size	160x340x68 mm
Bore Diameter	160 mm
Outer Diameter	340 mm
Width	68 mm
d	160 mm
D	340 mm
B	68 mm
C	68 mm
a	175 mm
Weight	34,5 Kg
Basic dynamic load rating (C)	558 kN
Basic static load rating (C0)	862 kN
(Grease) Lubrication Speed	2601 r/min

QJ 332 N2 M Bearing 2D drawings and 3D CAD models