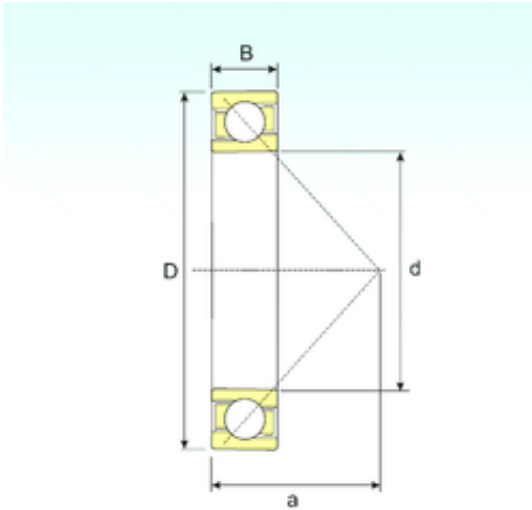




FAG BEARING LIMITED



7222 B Bearing 2D drawings and 3D CAD models

110 mm x 200 mm x 38 mm ISB 7222 B angular contact ball bearings

Bearing No. 7222 B

Size	110x200x38 mm
Bore Diameter	110 mm
Outer Diameter	200 mm
Width	38 mm
d	110 mm
D	200 mm
B	38 mm
C	38 mm
a	84 mm
Weight	4,95 Kg
Basic dynamic load rating (C)	149,94 kN
Basic static load rating (C0)	140,14 kN
(Grease) Lubrication Speed	2907 r/min