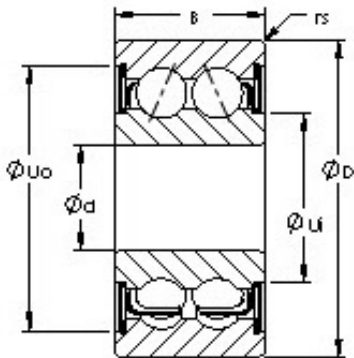




FAG BEARING LIMITED



AST 5216ZZ angular contact ball bearings

Bearing No. 5216ZZ

Size	80x140x44.45 mm
Bore Diameter	80 mm
Outer Diameter	140 mm
Width	44,45 mm
Bearing Type	shielded
Bore Dia (d)	80.0000
Outer Dia (D)	140.0000
Width (B)	44.4500
Radius (min) (rs)	2.000
Dynamic Load Rating (Cr)	106,000
Static Load Rating (Cor)	95,000
Max Speed (Grease) (X1000 RPM)	3
Max Speed (Oil) (X1000 RPM)	4
Max. Shaft Shoulder Dia. Inner (Ui)	90.0
Min. Housing Shoulder Dia., Outer (Uo)	132.000
Weight (g)	2,100.00
Precision	A1
Standard Clearance	C0
Material	52100 Chrome steel, or equivalent

5216ZZ Bearing 2D drawings and 3D CAD models