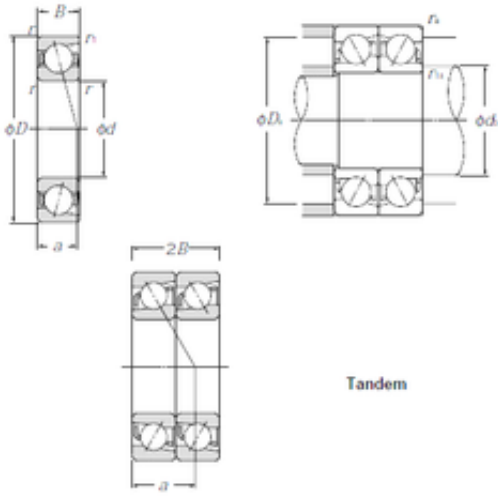




FAG BEARING LIMITED



200 mm x 310 mm x 51 mm CYSD 7040DT
angular contact ball bearings

Bearing No. 7040DT

Size	200x310x51 mm
Bore Diameter	200 mm
Outer Diameter	310 mm
Width	51 mm
d	200 mm
D	310 mm
B	51 mm
C	51 mm
Angle (°)	25 °
r min.	2,1 mm
2B	102 mm
Weight	28 Kg
Basic dynamic load rating (C)	410 kN
Basic static load rating (C0)	650 kN
(Grease) Lubrication Speed	1700 r/min

7040DT Bearing 2D drawings and 3D CAD models