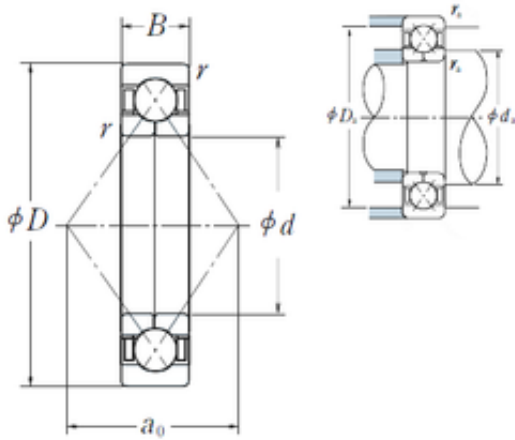




FAG BEARING LIMITED



100 mm x 180 mm x 34 mm NSK QJ 220
angular contact ball bearings

Bearing No. QJ 220

Size	100x180x34 mm
Bore Diameter	100 mm
Outer Diameter	180 mm
Width	34 mm
d	100 mm
D	180 mm
B	34 mm
C	34 mm
Angle (°)	35 °
a	98 mm
r min.	2,1 mm
da min.	112 mm
da max	168 mm
ra max.	2 mm
Weight	4 Kg
Basic dynamic load rating (C)	199 kN
Basic static load rating (C0)	390 kN
(Grease) Lubrication Speed	2 800 r/min

QJ 220 Bearing 2D drawings and 3D CAD models