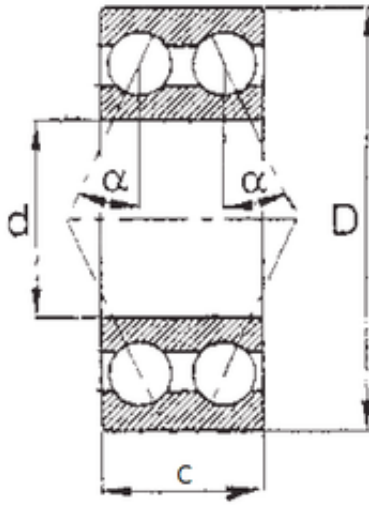




FAG BEARING LIMITED



35 mm x 80 mm x 34,9 mm FBJ 5307 angular contact ball bearings

Bearing No. 5307

Size	35x80x34.9 mm
Bore Diameter	35 mm
Outer Diameter	80 mm
Width	34,9 mm
d	35 mm
D	80 mm
B	34,9 mm
C	34,9 mm
Angle (°)	25 °
Weight	0,766 Kg
Basic dynamic load rating (C)	49,5 kN
Basic static load rating (C0)	35 kN
(Grease) Lubrication Speed	5000 r/min

5307 Bearing 2D drawings and 3D CAD models