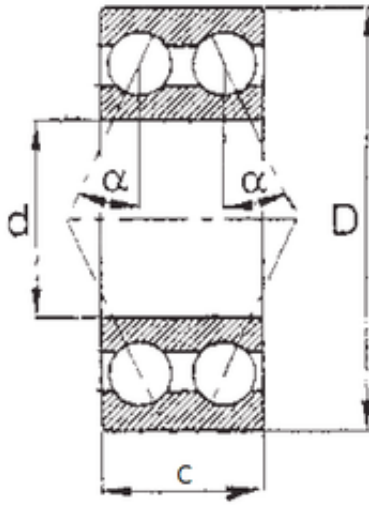




FAG BEARING LIMITED



75 mm x 160 mm x 68,3 mm FBJ 5315 angular contact ball bearings

Bearing No. 5315

Size	75x160x68.3 mm
Bore Diameter	75 mm
Outer Diameter	160 mm
Width	68,3 mm
d	75 mm
D	160 mm
B	68,3 mm
C	68,3 mm
Angle ()	25 °
Weight	5,65 Kg
Basic dynamic load rating (C)	168 kN
Basic static load rating (C0)	141 kN
(Grease) Lubrication Speed	2400 r/min

5315 Bearing 2D drawings and 3D CAD models