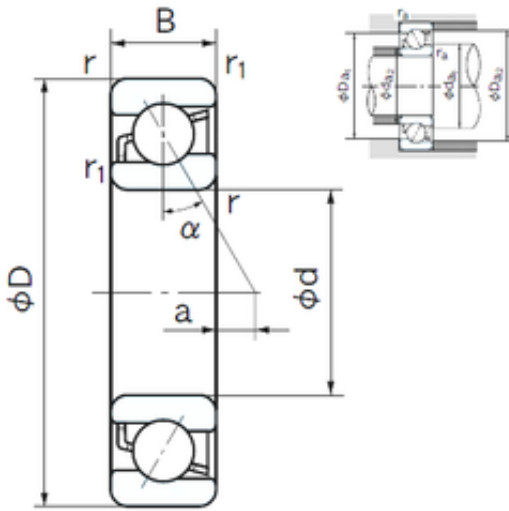




# FAG BEARING LIMITED



## 75 mm x 130 mm x 25 mm NACHI 7215 angular contact ball bearings

Bearing No. 7215

7215 Bearing 2D drawings and 3D CAD models

Size	75x130x25 mm
Bore Diameter	75 mm
Outer Diameter	130 mm
Width	25 mm
d	75 mm
D	130 mm
B	25 mm
C	25 mm
Angle ( ° )	30 °
a	17.1 mm
r min.	1.5 mm
r1 min.	1 mm
da min.	84 mm
Da max.	121 mm
ra max.	1.5 mm
Weight	1.23 Kg
Basic dynamic load rating (C)	79 kN
Basic static load rating (C0)	68,5 kN
(Grease) Lubrication Speed	4300 r/min
Configuration	Single Row
Enclosure	Open
Bore Type	Cylindrical Bore
Bore Size	75 mm
Outside Diameter	130 mm
Width	25 mm



## FAG BEARING LIMITED

Fillet Radius/Chamfer	1.5 mm
r1	1 mm
Dynamic Load Rating	79,000 N
Static Load Rating	68,500 N
Limiting Speed - Grease	4,300 rpm
Limiting Speed - Oil	5,800 rpm
da1 (min)	84 mm
da2 (min)	80 mm
Da1 (max)	121 mm
Da2 (max)	124.6 mm
ra (max)	1.5 mm
ra1 (max)	1 mm