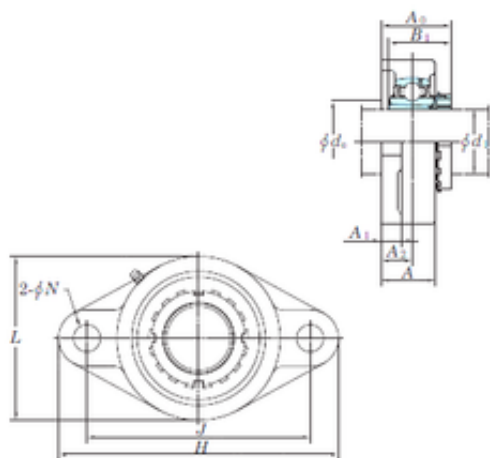




FAG BEARING LIMITED

KOYO UKFL208 bearing units

Bearing No. UKFL208



UKFL208 Bearing 2D drawings and 3D CAD models

Bore Diameter	35 mm
d	35 mm
A0	44,5 mm
d3	46 mm
A	36 mm
A1	14 mm
B1	36 mm
H	175 mm
J	144 mm
L	100 mm
N	16 mm
Bolt (G)	M14
A2	21 mm
Weight	1,6 Kg
Basic dynamic load rating (C)	29,1 kN
Basic static load rating (C0)	17,8 kN