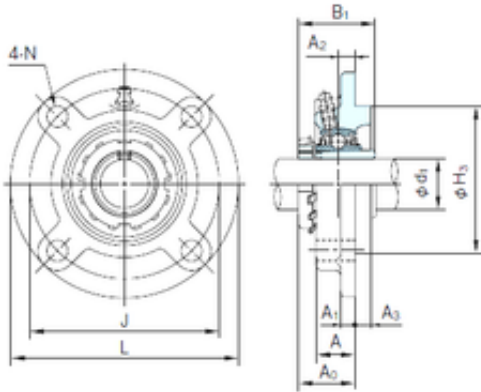




# FAG BEARING LIMITED

## NACHI UKFCX10+H2310 bearing units



Bearing No. UKFCX10+H2310

Bore Diameter	45 mm
d1	45 mm
H3	118 mm
A0	35.5 mm
A	25 mm
A1	11 mm
B1	55 mm
J	136 mm
L	162 mm
N	14 mm
Bolt (G)	M12
A2	7 mm
A3	16 mm

UKFCX10+H2310 Bearing 2D drawings and 3D CAD models