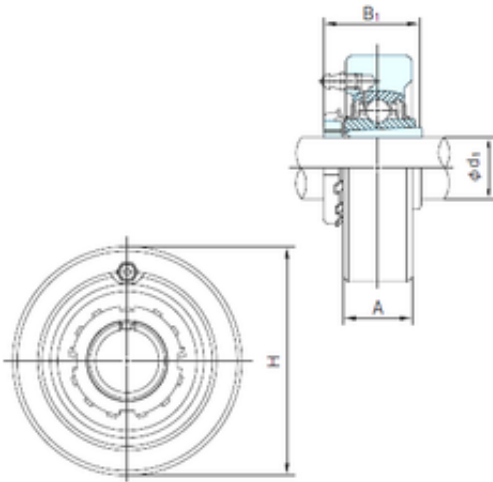




FAG BEARING LIMITED

NACHI UKC319+H2319 bearing units

Bearing No. UKC319+H2319



Bore Diameter	85 mm
Width	240 mm
d	85 mm
A	72 mm
B1	90 mm
H	240 mm

UKC319+H2319 Bearing 2D drawings and 3D CAD models