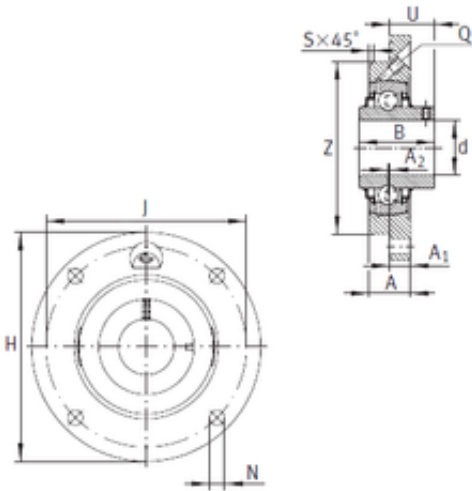




# FAG BEARING LIMITED

## INA RMEY20-N bearing units

Bearing No. RMEY20-N



RMEY20-N Bearing 2D drawings and 3D CAD models

Bore Diameter	20 mm
d	20 mm
U	16,3 mm
Thread (Q)	M6
Z	62 mm
A	17 mm
A1	8 mm
B	31 mm
H	100 mm
J	78 mm
N	9 mm
S	2 mm
A2	2 mm
Weight	0,54 Kg
Basic dynamic load rating (C)	12,8 kN
Category	Flange Block Bearings
Inventory	0.0
Manufacturer Name	SCHAEFFLER GROUP
Minimum Buy Quantity	N/A
Weight / Kilogram	0.647
EAN	4012802803532
Product Group	M06110
Number of Mounting Holes	4
Mounting Method	Set Screw
Housing Style	4 Bolt Round Flange Cartridge



## FAG BEARING LIMITED

Rolling Element	Ball Bearing
Housing Material	Cast Iron
Expansion / Non-expansion	Non-expansion
Mounting Bolts	9 Millimeter
Relubricatable	Yes
Insert Part Number	GYE20KRRB
Seals	Double Land Riding Rubber Contact
Housing Configuration	1 Piece Solid
Pilot Configuration	With Pilot
Inch - Metric	Metric
Long Description	4 Bolt Round Flange Cartridge; 20MM Bore; 78MM Bolt Circle; 55.2MM Bolt Spacing; 1 Piece Solid; Set Screw Mount; Cast Iron; Ball Bearing; 31MM Length Thru Bore; Relubricatable; Double Land Riding Rubb
Other Features	Single Row   Radial   Centering Spigot   Metric   With Grub Screw
Category	Flange Block
UNSPSC	31171501
Harmonized Tariff Code	8483.20.40.40
Noun	Bearing
Keyword String	Flanged
Manufacturer URL	<a href="http://www.ina.com">http://www.ina.com</a>
Manufacturer Item Number	RMEY20
Weight / LBS	1.191
Bore	0.787 Inch   20 Millimeter
Length Thru Bore	1.22 Inch   31 Millimeter
Cartridge Pilot Diameter	2.441 Inch   62 Millimeter
Cartridge Pilot Depth	0.276 Inch   7 Millimeter
Bolt Spacing	2.2 Inch   55.2 Millimeter



## FAG BEARING LIMITED

Nominal Bolt Circle Diameter Round	3.1 Inch   78 Millimeter
---------------------------------------	--------------------------