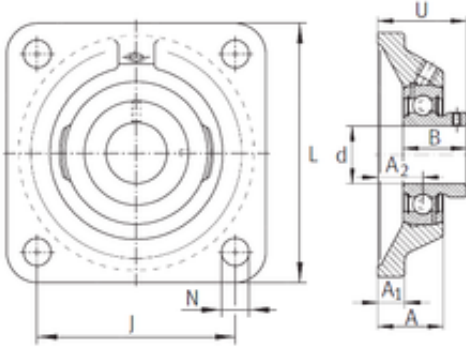




FAG BEARING LIMITED

INA PCJY1-1/2 bearing units



PCJY1-1/2 Bearing 2D drawings and 3D CAD models

Bearing No. PCJY1-1/2

Bore Diameter	38,1 mm
d	38,1 mm
V	116,002 mm
U	53,01 mm
Thread (Q)	1/8 NPT
A	37,998 mm
A1	14,503 mm
B	39,497 mm
J	101,498 mm
L	129,997 mm
N	13,995 mm
A2	24,003 mm
Category	Flange Block Bearings
Inventory	0.0
Manufacturer Name	SCHAEFFLER GROUP
Minimum Buy Quantity	N/A
Weight / Kilogram	2.634
Product Group	M06110
Number of Mounting Holes	4
Mounting Method	Set Screw
Housing Style	4 Bolt Square Flange Block
Rolling Element	Ball Bearing
Housing Material	Cast Iron
Expansion / Non-expansion	Non-expansion
Mounting Bolts	27/49 Inch
Relubricatable	Yes



FAG BEARING LIMITED

Insert Part Number	GAY108NPPB
Seals	Double Lip Contact
Housing Configuration	1 Piece Solid
Pilot Configuration	No Pilot
Inch - Metric	Inch
Long Description	4 Bolt Square Flange Block; 1-1/2" Bore; 5.7" Bolt Circle; 3.996" Bolt Spacing; 1 Piece Solid; Set Screw Mount; Cast Iron; Ball Bearing; 1.555" Length Thru Bore; Relubricatable; Do
Other Features	Single Row With Grub Screw
Category	Flange Block
UNSPSC	31171501
Harmonized Tariff Code	8483.20.40.40
Noun	Bearing
Keyword String	Flanged
Manufacturer URL	http://www.ina.com
Manufacturer Item Number	PCJY1-1/2
Weight / LBS	4.851
Cartridge Pilot Diameter	0 Inch 0 Millimeter
Length Thru Bore	1.555 Inch 39.5 Millimeter
Cartridge Pilot Depth	0 Inch 0 Millimeter
Bolt Spacing	3.996 Inch 101.5 Millimeter
Bore	1.5 Inch 38.1 Millimeter
Nominal Bolt Circle Diameter Round	5.7 Inch 144 Millimeter