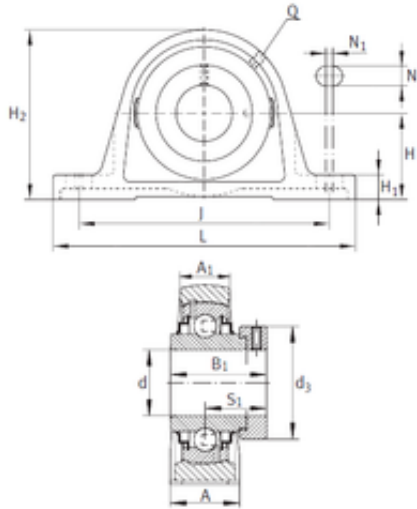




# FAG BEARING LIMITED



RASE1-3/8 Bearing 2D drawings and 3D CAD models

## INA RASE1-3/8 bearing units

Bearing No. RASE1-3/8

Bore Diameter	34,925 mm
d	34,925 mm
S1	32,512 mm
Thread (Q)	1/8 NPT
d3	51,004 mm
A	46,508 mm
A1	27,991 mm
B	51,308 mm
H	47,6 mm
H1	19 mm
H2	93,701 mm
J	129,998 mm
L	172 mm
N	15,012 mm
N1	7,9 mm
Category	Pillow Block Bearings
Inventory	0.0
Manufacturer Name	SCHAEFFLER GROUP
Minimum Buy Quantity	N/A
Weight / Kilogram	1.916
Product Group	M06110
Number of Mounting Holes	2
Mounting Method	Eccentric Collar
Housing Style	2 Bolt Pillow Block
Rolling Element	Ball Bearing
Housing Material	Cast Iron



## FAG BEARING LIMITED

Expansion / Non-expansion	Non-expansion
Relubricatable	Yes
Insert Part Number	G1106KRRB
Seals	Double Land Riding Rubber Contact
Housing Configuration	1 Piece Solid
Inch - Metric	Inch
Other Features	Single Row   Standard Shaft Height   With Set Screw
Long Description	2 Bolt Pillow Block; 1-3/8" Bore; 1-7/8" Base to Center Height; Eccentric Collar Mount; Ball Bearing; 4.807" Minimum Bolt Spacing; 5.429" Bolt Spacing Maximum; Relubricatable; Cast
Category	Pillow Block
UNSPSC	31171511
Harmonized Tariff Code	8483.20.40.40
Noun	Bearing
Keyword String	Pillow Block
Manufacturer URL	<a href="http://www.ina.com">http://www.ina.com</a>
Manufacturer Item Number	RASE1-3/8
Weight / LBS	3.749
Nominal Bolt Center to Center	5 Inch   127 Millimeter
Length Thru Bore	2.012 Inch   51.1 Millimeter
Bolt Spacing Maximum	5.429 Inch   137.9 Millimeter
Bore	1.375 Inch   34.925 Millimeter
Actual Bolt Center to Center	0 Inch   0 Millimeter
Bolt Spacing Minimum	4.807 Inch   122.1 Millimeter
Base to Center Height	1.875 Inch   47.63 Millimeter



# FAG BEARING LIMITED