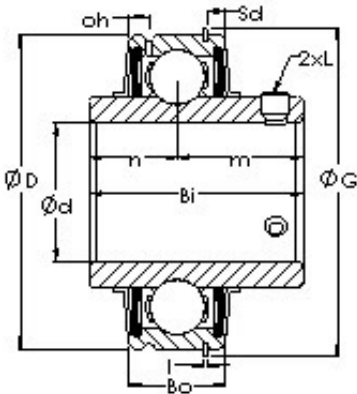




FAG BEARING LIMITED



ER205 Bearing 2D drawings and 3D CAD models

AST ER205 bearing units

Bearing No. ER205

Bore Diameter	25 mm
Outer Diameter	52 mm
Bearing Type	Metric Bore Diameter
Bore Dia (d)	25.0000
Outer Dia (D)	52.0000
Outer Width (Bo)	19.0000
Inner Width (Bi)	34.0000
Dynamic Load Rating (Cr)	14,020
Static Load Rating (Cor)	7,842
Bearing Inner Race Width - Short Side (n)	14.3000
Bearing Inner Race Width - Extended Side (m)	19.7000
Bearing Collar Set Screw (L)	M6 X 1.0
Snap Ring Dia. (G)	57.7000
Snap Ring Location (Sd)	2.4000
Snap Ring Thickness (l)	1.1000
Relubrication Hole Location (oh)	5.0000
Shaft Dia., Nominal (d)	25.0000
Weight (g)	272.16