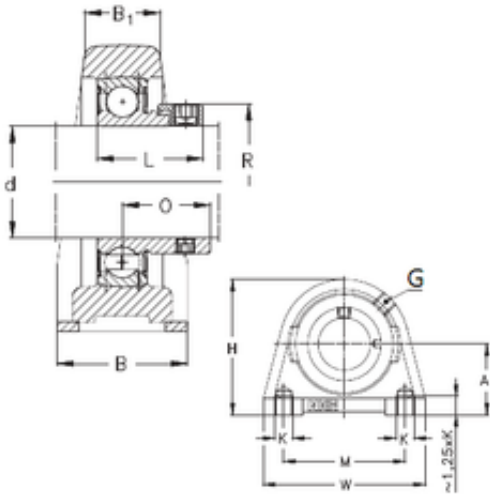




# FAG BEARING LIMITED

## NKE PSHEY35-N bearing units

Bearing No. PSHEY35-N



PSHEY35-N Bearing 2D drawings and 3D CAD models

Bore Diameter	35 mm
Width	45 mm
d	35 mm
O	25,5 mm
A	47,6 mm
B	45 mm
B1	27 mm
H	93 mm
L	35 mm
M	82,6 mm
W	103 mm
Thread (G)	R1/8 "
Weight	1,35 Kg