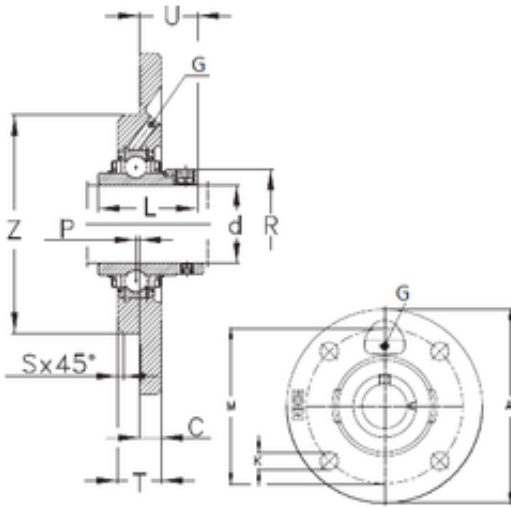




FAG BEARING LIMITED



NKE RME40-N bearing units

Bearing No. RME40-N

Bore Diameter	40 mm
d	40 mm
P	1 mm
U	33,9 mm
K	11,5 mm
Z	100 mm
A	145 mm
C	11,5 mm
L	56,3 mm
M	120 mm
R	58 mm
S	2 mm
T	23 mm
Thread (G)	M6

RME40-N Bearing 2D drawings and 3D CAD models