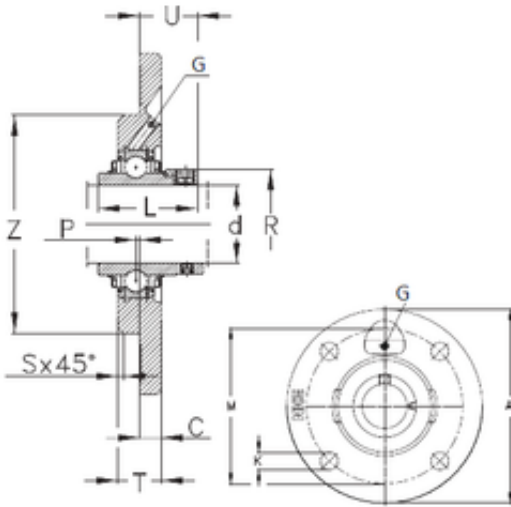




FAG BEARING LIMITED



RME050 Bearing 2D drawings and 3D CAD models

NKE RME050 bearing units

Bearing No. RME050

Bore Diameter	50 mm
d	50 mm
P	2,5 mm
U	44,6 mm
K	23 mm
Z	140 mm
A	230 mm
C	19 mm
L	66,7 mm
M	187 mm
R	75,8 mm
S	2 mm
T	31 mm
Thread (G)	R1/8 "