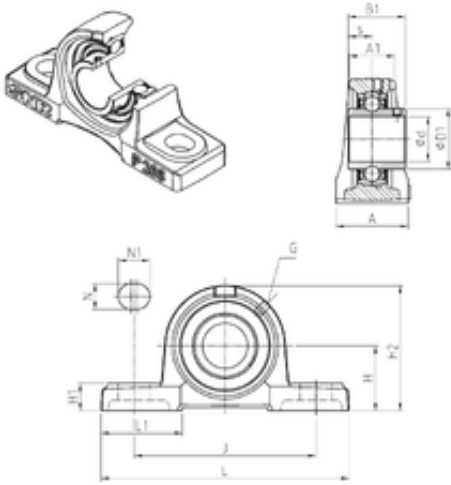




FAG BEARING LIMITED



UCP312 Bearing 2D drawings and 3D CAD models

SNR UCP312 bearing units

Bearing No. UCP312

Bore Diameter	60 mm
d	60 mm
s	26 mm
A	85 mm
A1	54 mm
B1	71 mm
D1	81 mm
H	85 mm
H1	32 mm
H2	165 mm
J	250 mm
L	330 mm
L1	95 mm
N	25 mm
N1	38 mm
Thread (G)	M6x1
Weight	9,5 Kg
Basic dynamic load rating (C)	81,6 kN