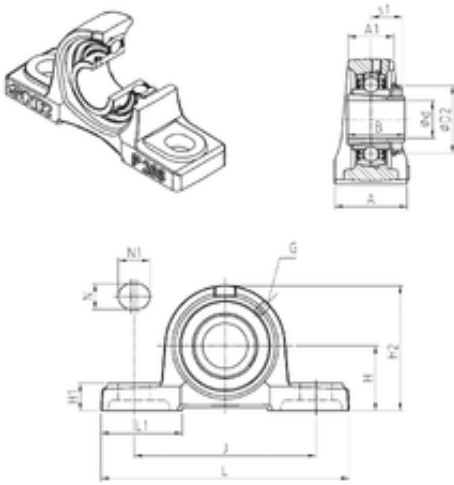




# FAG BEARING LIMITED



## SNR UKP213H bearing units

Bearing No. UKP213H

Bore Diameter	60 mm
d	60 mm
s1	32 mm
A	70 mm
A1	46 mm
B	65 mm
D2	85 mm
H	76,2 mm
H1	27 mm
H2	150 mm
J	203 mm
L	265 mm
L1	77 mm
N	25 mm
N1	29 mm
Thread (G)	M6x1
Weight	6,1 Kg
Basic dynamic load rating (C)	57,2 kN

UKP213H Bearing 2D drawings and 3D CAD models