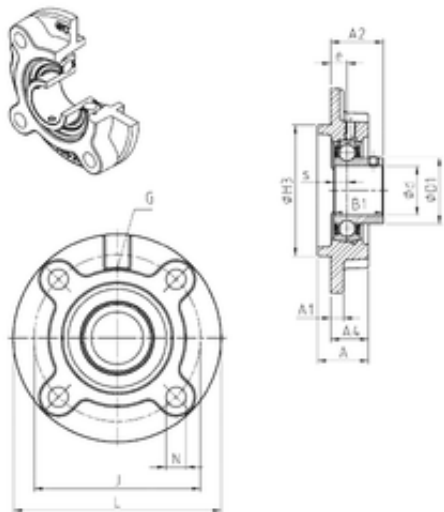




# FAG BEARING LIMITED



## SNR USFC210 bearing units

Bearing No. USFC210

Bore Diameter	50 mm
d	50 mm
H3	110 mm
A4	28 mm
e	10 mm
s	10,9 mm
A	40 mm
A1	14 mm
B1	43,5 mm
D1	61,8 mm
J	138 mm
L	165 mm
N	16 mm
Thread (G)	M6x1
A2	42,6 mm
Weight	2,8 Kg
Basic dynamic load rating (C)	35,1 kN

USFC210 Bearing 2D drawings and 3D CAD models