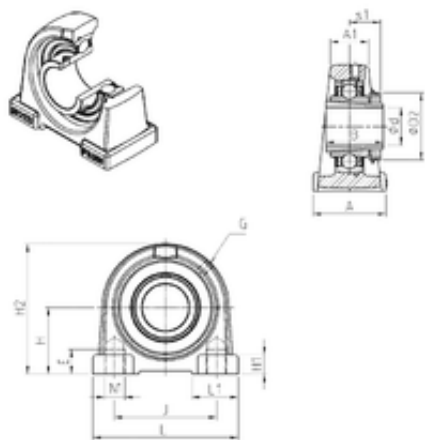




FAG BEARING LIMITED

SNR UKPAE207H bearing units

Bearing No. UKPAE207H



UKPAE207H Bearing 2D drawings and 3D CAD models

Bore Diameter	30 mm
d	30 mm
s1	22,5 mm
A	45 mm
A1	27 mm
B	43 mm
D2	52 mm
E	12,5 mm
H	47,6 mm
H1	12 mm
H2	93 mm
J	82,6 mm
L	103 mm
L1	22,5 mm
Thread (G)	R1/8"
Thread (N1)	M10
Weight	1,4 Kg
Basic dynamic load rating (C)	25,7 kN