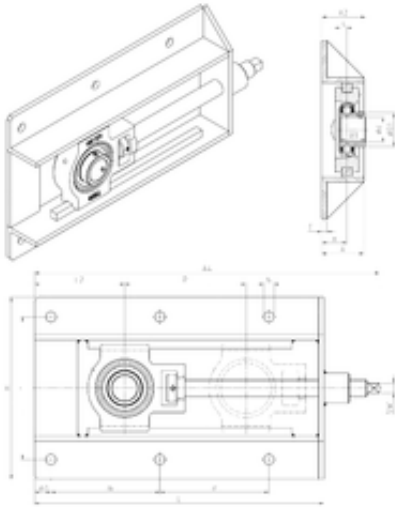




FAG BEARING LIMITED

SNR UST207+WB bearing units

Bearing No. UST207+WB



UST207+WB Bearing 2D drawings and 3D CAD models

| | |
|-------------------------------|---------|
| Bore Diameter | 35 mm |
| d | 35 mm |
| A4 | 490 mm |
| P | 230 mm |
| e | 30 mm |
| L2 | 99 mm |
| s | 8,5 mm |
| SW | 12 mm |
| A | 50 mm |
| B1 | 32 mm |
| D1 | 48 mm |
| H | 212 mm |
| J | 166 mm |
| L | 429 mm |
| M | 173 mm |
| M1 | 19 mm |
| N | 12 mm |
| T | 6 mm |
| A2 | 53,5 mm |
| Weight | 8,3 Kg |
| Basic dynamic load rating (C) | 25,7 kN |
| A1 | 12 mm |
| B | 32 mm |
| A5 | 23.5 mm |
| G | M6x1 |
| H1 | 89 mm |



FAG BEARING LIMITED

| | |
|---|---------|
| H2 | 64 mm |
| L1 | 78 mm |
| L3 | 64 mm |
| N1 | 16 mm |
| N2 | 37 mm |
| s1 | 16 mm |
| S | 8.5 mm |
| C | 25.7 kN |
| C0 | 15.2 kN |
| T min. | -20 ° C |
| T max. | 100 ° C |
| Recommended tightening torque for set screw | 5.5 Nm |
| Designation of housing | T207- |
| Designation of bearing | US207G2 |