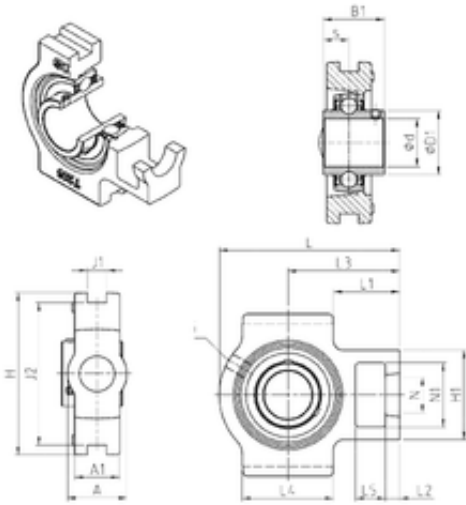




FAG BEARING LIMITED



UCT315 Bearing 2D drawings and 3D CAD models

SNR UCT315 bearing units

Bearing No. UCT315

Bore Diameter	75 mm
d	75 mm
L4	150 mm
L5	36 mm
L2	27 mm
L3	160 mm
s	32 mm
A	90 mm
A1	55 mm
B1	82 mm
D1	100,5 mm
H	216 mm
H1	132 mm
L	262 mm
L1	85 mm
N	46 mm
N1	85 mm
Thread (G)	M10x1
J1	26 mm
J2	192 mm
Weight	12,5 Kg
Basic dynamic load rating (C)	113,36 kN
A2	55 mm
B	82 mm
A5	50 mm
G	M10x1



FAG BEARING LIMITED

H2	132 mm
N2	85 mm
s1	41 mm
S	32 mm
SW	6 mm
C	113.36 kN
C0	76.8 kN
T min.	-20 ° C
T max.	100 ° C
Recommended tightening torque for set screw	42 Nm
Designation of housing	T315-
Designation of bearing	UC315G2