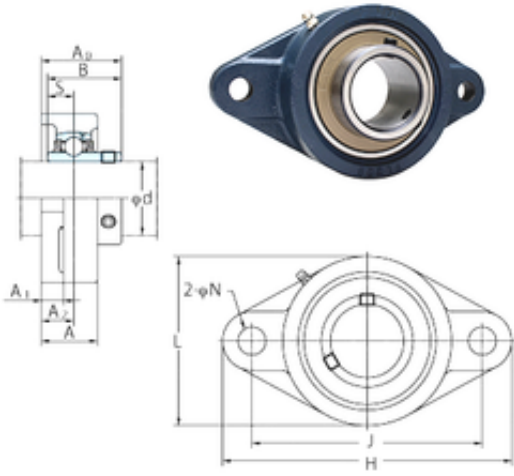




FAG BEARING LIMITED

FYH UCFL213-40E bearing units

Bearing No. UCFL213-40E



UCFL213-40E Bearing 2D drawings and 3D CAD models

Bore Diameter	63,5 mm
d	63,5 mm
A0	69,7 mm
A	50 mm
A1	20 mm
B	65,1 mm
H	258 mm
J	210 mm
L	155 mm
N	16,5 mm
S	25,4 mm
A2	30 mm
Weight	5,2 Kg
Basic dynamic load rating (C)	57,2 kN
Basic static load rating (C0)	40,1 kN