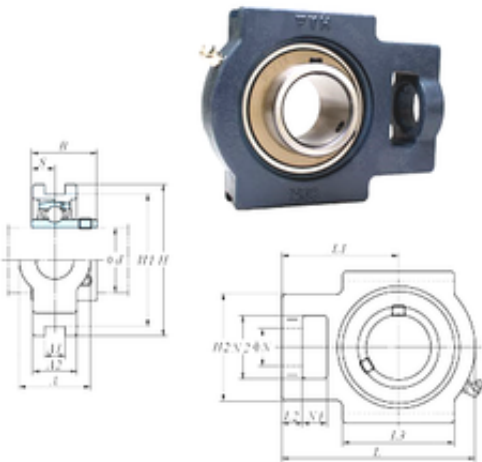




# FAG BEARING LIMITED

## FYH UCT210-30E bearing units

Bearing No. UCT210-30E



UCT210-30E Bearing 2D drawings and 3D CAD models

Bore Diameter	47,625 mm
d	47,625 mm
L2	16 mm
L3	86 mm
A	49 mm
A1	17,5 mm
B	51,6 mm
H	117 mm
H1	101,6 mm
H2	83 mm
L	149 mm
L1	90 mm
N	29 mm
N1	19 mm
S	19 mm
A2	37 mm
N2	49 mm
Weight	2,6 Kg
Basic dynamic load rating (C)	35,1 kN
Basic static load rating (C0)	23,3 kN