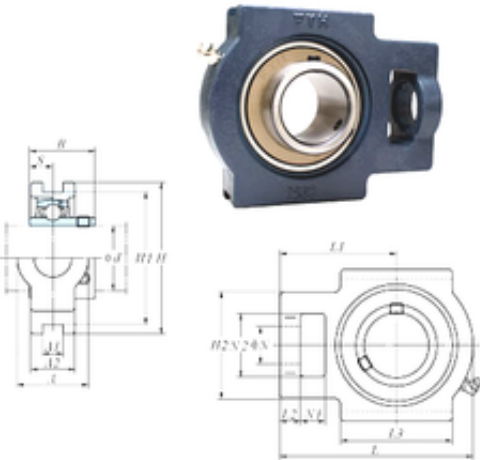




FAG BEARING LIMITED

FYH UCT202E bearing units

Bearing No. UCT202E



UCT202E Bearing 2D drawings and 3D CAD models

Bore Diameter	15 mm
d	15 mm
L2	10 mm
L3	51 mm
A	32 mm
A1	13,5 mm
B	31 mm
H	89 mm
H1	76,2 mm
H2	51 mm
L	94 mm
L1	61 mm
N	19 mm
N1	16 mm
S	12,7 mm
A2	21 mm
N2	32 mm
Weight	0,79 Kg
Basic dynamic load rating (C)	12,8 kN
Basic static load rating (C0)	6,65 kN