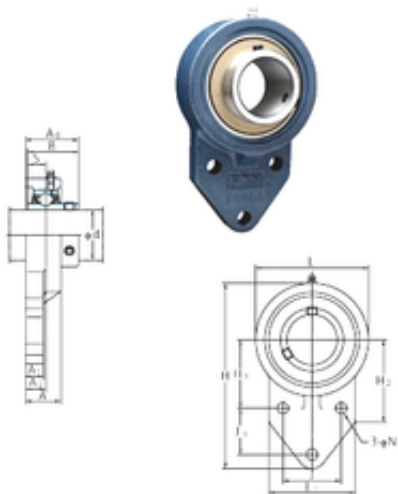




FAG BEARING LIMITED

FYH UCFB206-20 bearing units



Bearing No. UCFB206-20

Bore Diameter	31,75 mm
d	31,75 mm
A0	39,2 mm
A	29 mm
A1	13 mm
B	38,1 mm
H	130 mm
H1	50 mm
H2	55 mm
J	40 mm
L	78 mm
L1	65 mm
N	9,5 mm
S	15,9 mm
Bolt (G)	M8
A2	17 mm
J1	29 mm
Weight	0,92 Kg
Basic dynamic load rating (C)	19,5 kN
Basic static load rating (C0)	11,3 kN

UCFB206-20 Bearing 2D drawings and 3D CAD models