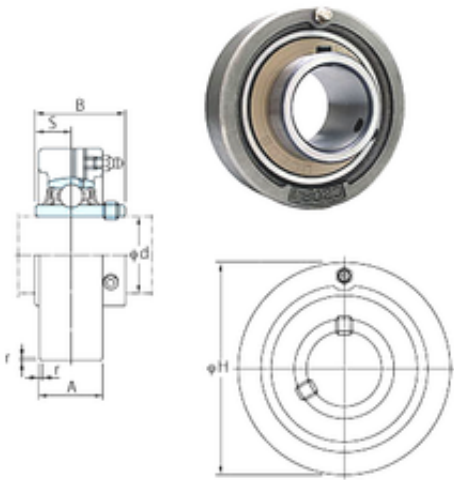




FAG BEARING LIMITED

FYH UCC207 bearing units



Bearing No. UCC207

Bore Diameter	35 mm
Width	42,9 mm
d	35 mm
r	2 mm
A	28 mm
B	42,9 mm
H	90 mm
S	17,5 mm
Weight	0,93 Kg
Basic dynamic load rating (C)	25,7 kN
Basic static load rating (C0)	15,4 kN
Category	Cartridge Unit Bearings
Inventory	0.0
Manufacturer Name	FYH BEARING UNITS
Minimum Buy Quantity	N/A
Weight / Kilogram	0.929
Product Group	M06110
Mounting Method	Set Screw
Housing Style	Cartridge Unit
Housing Material	Cast Iron
Rolling Element	Ball Bearing
Expansion / Non-expansion	Non-expansion
Relubricatable	Yes
Insert Part Number	UC207
Seals	Single Lip Contact
Other Features	Single Row Normal Duty

UCC207 Bearing 2D drawings and 3D CAD models



FAG BEARING LIMITED

	NBR Seal Has Slinger
Long Description	35MM Bore; 90MM Outside Diameter; 28MM Cartridge Housing Width; Set Screw; Cartridge Unit; Cast Iron; Ball Bearing; 42.9MM Length Thru Bore; Relubricatable; UC207 Insert; Single Lip Contact; Non-expan
Inch - Metric	Metric
Category	Mounted Cartridge Units
UNSPSC	31171535
Harmonized Tariff Code	8483.20.40.40
Noun	Bearing
Keyword String	Cartridge
Manufacturer URL	http://www.fyhbearings.com
Manufacturer Item Number	UCC207
Weight / LBS	2.05
Cartridge Housing Width	1.102 Inch 28 Millimeter
Length Thru Bore	1.689 Inch 42.9 Millimeter
Outside Diameter	3.543 Inch 90 Millimeter
Bore	1.378 Inch 35 Millimeter