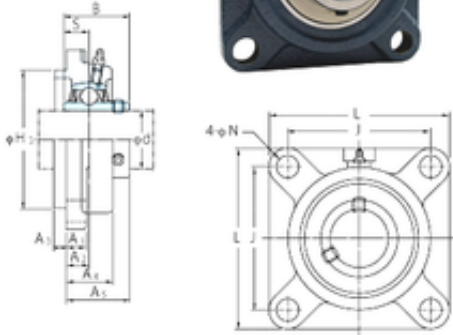




FAG BEARING LIMITED

FYH UCFS309-28 bearing units

Bearing No. UCFS309-28



UCFS309-28 Bearing 2D drawings and 3D CAD models

Bore Diameter	44,45 mm
d	44,45 mm
H3	125 mm
A4	33 mm
A5	49 mm
A1	18 mm
B	57 mm
J	125 mm
L	160 mm
N	19 mm
S	22 mm
Bolt (G)	M16
A2	14 mm
A3	11 mm
Weight	4,4 Kg
Basic dynamic load rating (C)	48,9 kN
Basic static load rating (C0)	29,5 kN