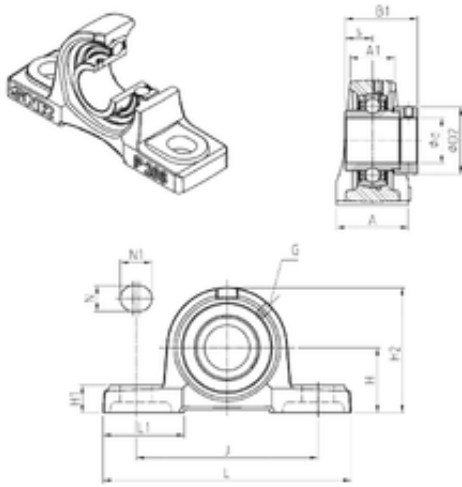




# FAG BEARING LIMITED



## SNR EXP206 bearing units

Bearing No. EXP206

Bore Diameter	30 mm
d	30 mm
s	18,2 mm
A	48 mm
A1	30 mm
B1	48,3 mm
D2	44,5 mm
H	42,9 mm
H1	18 mm
H2	83 mm
J	121 mm
L	165 mm
L1	54 mm
N	17 mm
N1	21 mm
Thread (G)	M6x1
Weight	1,5 Kg
Basic dynamic load rating (C)	19,5 kN

EXP206 Bearing 2D drawings and 3D CAD models