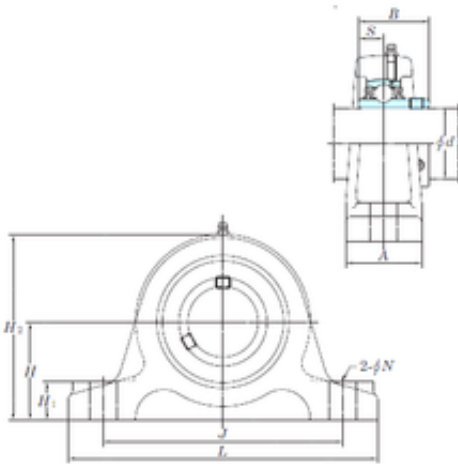




FAG BEARING LIMITED

KOYO UCIP211-34 bearing units

Bearing No. UCIP211-34



UCIP211-34 Bearing 2D drawings and 3D CAD models

| | |
|-------------------------------|-----------|
| Bore Diameter | 53,975 mm |
| Width | 55,6 mm |
| d | 53,975 mm |
| A | 60 mm |
| B | 55,6 mm |
| H | 80 mm |
| H1 | 28 mm |
| H2 | 148 mm |
| J | 180 mm |
| L | 230 mm |
| N | 19 mm |
| S | 22,2 mm |
| Bolt (G) | M16 |
| Weight | 5,3 Kg |
| Basic dynamic load rating (C) | 43,4 kN |
| Basic static load rating (C0) | 29,4 kN |