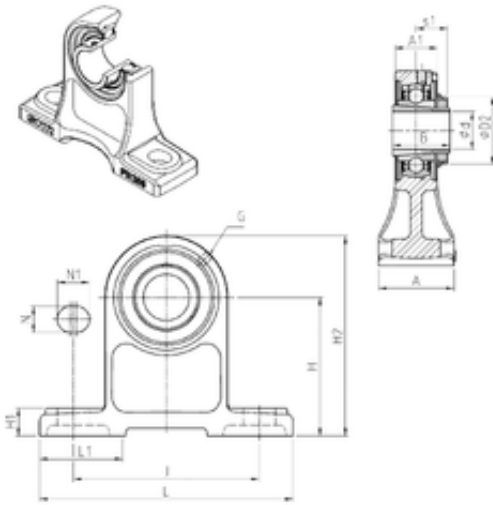




FAG BEARING LIMITED

SNR UKPH210H bearing units

Bearing No. UKPH210H



UKPH210H Bearing 2D drawings and 3D CAD models

Bore Diameter	45 mm
d	45 mm
s1	27,5 mm
A	70 mm
A1	36 mm
B	55 mm
D2	70 mm
H	110 mm
H1	22 mm
H2	165 mm
J	159 mm
L	206 mm
L1	65 mm
N	20 mm
N1	25 mm
Thread (G)	M6x1
Weight	3,8 Kg
Basic dynamic load rating (C)	35,1 kN