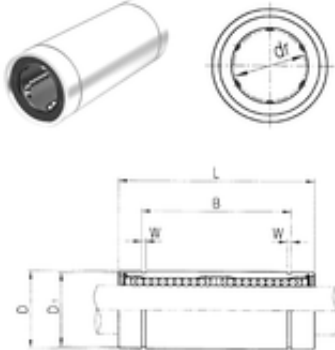




FAG BEARING LIMITED

12 mm x 21 mm x 46 mm Samick LM12L linear bearings



Bearing No. LM12L

Size	12x21x46 mm
Bore Diameter	12 mm
Outer Diameter	21 mm
Width	46 mm
d	12 mm
D	21 mm
B	46 mm
D1	20 mm
L	57 mm
W	1,3 mm
Weight	0,08 Kg
Basic dynamic load rating (C)	0,65 kN

LM12L Bearing 2D drawings and 3D CAD models