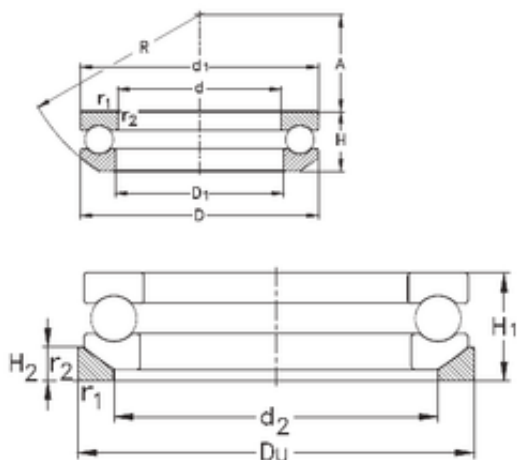




# FAG BEARING LIMITED

## NKE 53417+U417 thrust ball bearings

Bearing No. 53417+U417



53417+U417 Bearing 2D drawings and 3D CAD models

Size	85x180x77 mm
Bore Diameter	85 mm
Outer Diameter	180 mm
Width	77 mm
d	85 mm
D	180 mm
H	77 mm
d1	177 mm
d2	130 mm
r1 min.	2,1 mm
r2 min.	2,1 mm
A	47 mm
D1	88 mm
H1	83 mm
H2	23 mm
R	140 mm
Weight	12,24 Kg
Basic dynamic load rating (C)	290 kN
Basic static load rating (C0)	680 kN