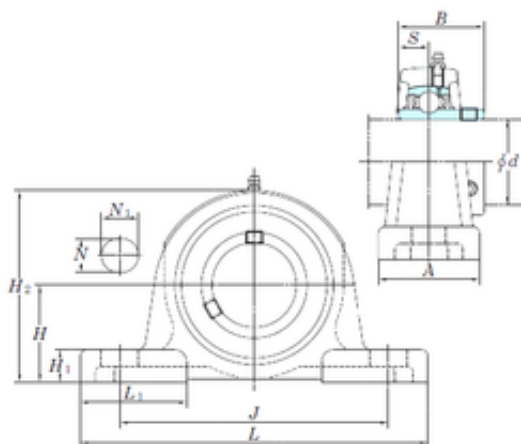




FAG BEARING LIMITED

SKF Snr NTN NSK Koyo Pillow Block Bearing
 UCP205 UCP206-17 UCP206-18 UCP206-19
 UCP206-20 UCP206 UCP207-20 UCP207-21
 UCP207-22 UCP207-23 UCP207 UCP208-24



Bearing No. UCP205

| | |
|-------------------------------|---------|
| Bore Diameter | 25 mm |
| Width | 34,1 mm |
| d | 25 mm |
| A | 38 mm |
| B | 34,1 mm |
| H | 36,5 mm |
| H1 | 13 mm |
| H2 | 71 mm |
| J | 105 mm |
| L | 140 mm |
| L1 | 43 mm |
| N | 13 mm |
| N1 | 18 mm |
| S | 14,3 mm |
| Bolt (G) | M10 |
| Weight | 0,8 Kg |
| Basic dynamic load rating (C) | 14 kN |
| Basic static load rating (C0) | 7,85 kN |
| Bearing No. | UCP205 |
| Bolt size | M10 |
| Cr | 14.0 |
| C0r | 7.85 |
| f0 | 13.9 |
| | |

UCP205 Bearing 2D drawings and 3D CAD models



FAG BEARING LIMITED

| | |
|-----------------------|-----------|
| (Refer.)Unit mass(kg) | 0.80 |
| Nipple size | 1/4-28UNF |