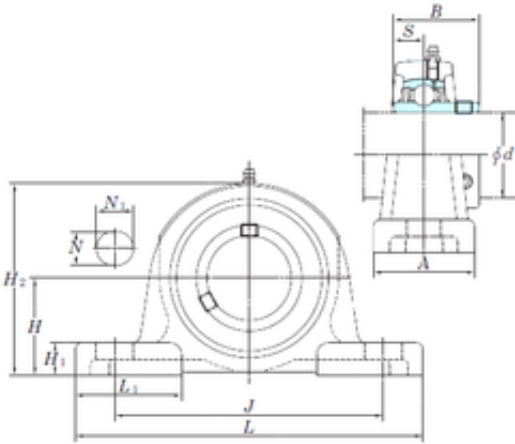




FAG BEARING LIMITED

SKF Snr NTN NSK Koyo Timken Pillow Block
 Bearing UCP201 UCP202 UCP203 UCP204
 UCP205 UCP206 UCP207 UCP208 UCP209
 UCP210



UCP201 Bearing 2D drawings and 3D CAD models

Bearing No. UCP201

Bore Diameter	12 mm
Width	31 mm
d	12 mm
A	38 mm
B	31 mm
H	30,2 mm
H1	12 mm
H2	60 mm
J	95 mm
L	127 mm
L1	38 mm
N	13 mm
N1	18 mm
S	12,7 mm
Bolt (G)	M10
Weight	0,63 Kg
Basic dynamic load rating (C)	12,8 kN
Basic static load rating (C0)	6,65 kN
Bearing No.	UCP201
Bolt size	M10
Cr	12.8
C0r	6.65
f0	13.2



FAG BEARING LIMITED

(Refer.)Unit mass(kg)	0.63
Nipple size	1/4-28UNF